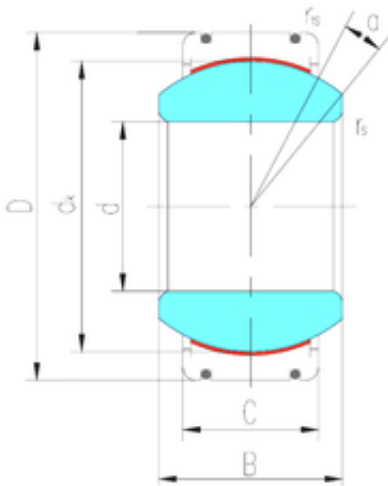




Nst American.



360 mm x 480 mm x 160 mm LS
GEC360XT-2RS Rodamientos Deslizantes

Bearing No. GEC360XT-2RS

Size	360x480x160 mm
Bore Diameter	360 mm
Outer Diameter	480 mm
Width	160 mm
d	360 mm
D	480 mm
B	160 mm
C	135 mm
dk	420 mm
r min.	1,1 mm
r1 min.	3 mm
Angle	3 °
Weight	87 Kg
Basic dynamic load rating (C)	10200 kN

GEC360XT-2RS Bearing 2D drawings and 3D CAD models