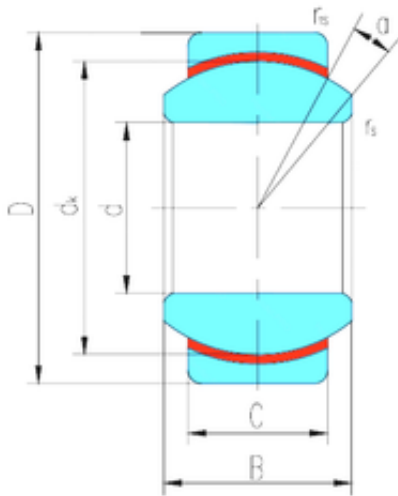




Nst American.



35 mm x 55 mm x 25 mm LS GE35N Rodamientos Deslizantes

Bearing No. GE35N

Size	35x55x25 mm
Bore Diameter	35 mm
Outer Diameter	55 mm
Width	25 mm
d	35 mm
D	55 mm
B	25 mm
C	20 mm
dk	47 mm
r min.	0,6 mm
r1 min.	1 mm
Angle	6 °
Weight	0,228 Kg
Basic dynamic load rating (C)	56 kN

GE35N Bearing 2D drawings and 3D CAD models