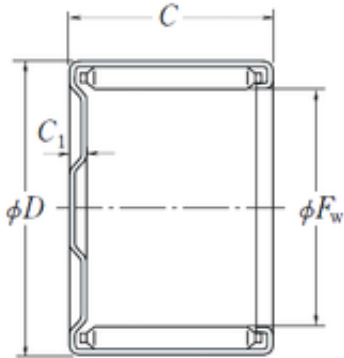




Nst American.

NSK MFH-1212 Rodamientos De Agujas



Bearing No. MFH-1212

MFH-1212 Bearing 2D drawings and 3D CAD models

Size	12x18x12 mm
Bore Diameter	12 mm
Outer Diameter	18 mm
Width	12 mm
Fw	12 mm
D	18 mm
C	12 mm
C1	1,9 mm
Weight	0,011 Kg
Basic dynamic load rating (C)	9 kN
(Grease) Lubrication Speed	4500 r/min
NB-DI	0
NA-DEX	16.453
hidYobi	MFH-1212
LangID	1
D_	18
NC-SLR	10.11
B_	12.5
n_yobi	FIR-081212
hidTable	ecat_NSDCNR
d1	8
GRS rpm	4500
ra	0.3
NC-SLR1	0
C0	12.267
Prod_Type3	NRB_DC_F-MF_FC_CT



Nst American.

da	10
d	8
NC-RAC	0
Pmax	5700
N-SDM	0
yobi	MFH-1212
C1_C2	1.9
ND-Z	0
OIL rpm	7500
NC-DA	2.22
mass_i	11
N-KBRG	8230
NC-KMS	20
B1	12.5